

COMPACT Series

One step shrink wrap machines without tunnel

PackagingSolutions



COMPACT Series

One step shrink wrap machines without tunnel



Technical Specifications

	Compack 4500-i	Compack 5800-i	Compack 7000-i	Compack 8000-i
Max. Capacity: 5-10 pack / min	Max. Packaging Sizes (WxLxH): 150 x 350 x 150mm	250 x 450 x 150mm	350 x 550 x 150mm	450 x 650 x 150mm
Max. Roll Diameter: Ø300mm standard	Max. Film Width: 400mm	500mm	600mm	700mm
Working Height (E): 860mm (8000-i Series 970mm)	Installed Power (50-60Hz): 200-240V, 15 Ampere, 1 Phase	200-240V, 17 Ampere 1 Phase	400V, 13 Ampere, 3 Phase	400V, 17 Ampere, 3 Phase
Film Types: POF 7-37micron	Consumption (Max. / Average): 4 kW / 3 kW	5 kW / 3 kW	6 kW / 4 kW	9 kW / 5 kW
PVC: 15-25micron	Chamber Sizes: 450 x 300 x 250mm	580 x 440 x 250mm	700 x 510 x 250mm	810 x 610 x 250mm
Max. Product Height: 150mm	Dimensions (AxBxCxD): 1080x600x1140x270mm	1220x730x1140x270mm	1480x860x1140x270mm	1840x980x1220x270mm
Optionally Higher	Palletized Size (WxLxH): 800 x 1200 x 770mm	800 x 1200 x 770mm	940 x 1590 x 800mm	980 x 1930 x 1220mm
Color: Light gray RAL7035	Weight (Net / Gross): 100 kg / 130 kg	120 kg / 150 kg	151 kg / 205 kg	176 kg / 224 kg

Features:

- Seal & shrink single-step application in the same chamber
- Practical and compact solution for low capacity packaging requirements
- Easily transportable on wheels inside a facility
- Timers and temperature controls by digital control panel
- Magnetic holder keeps the chamber hood closed automatically
- Adjustable perforators for air discharge during shrinkage

Intelligent Sealing System & Advantages:

- Sealing blade power is generated as much as it is needed
- Adaptive temperature power control during variable cycle times
- Start-up power for the sealing blade is controlled with intelligent system.
- Increased duration of composite blade-supports due to efficient heat control
- Sustainable sealing quality and process accuracy by stabilized heat control

Sealing:

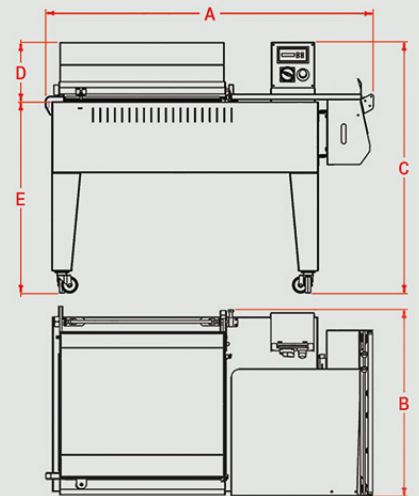
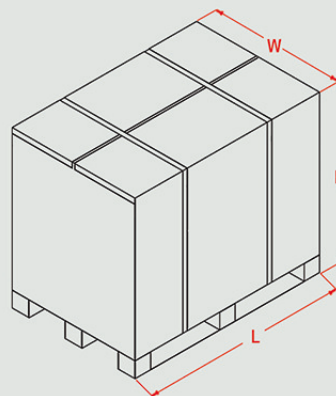
- Mechanical switch triggers heating of wire and chamber when the hood is closed
- Sealing is actuated in between wire and silicon rubber by manually closed hood
- Teflon belt covered silicon rubber increase sealing quality and life-span of silicon
- Sealing wire is embedded into heat-resistant composite fiber
- Solid state relays in electrical cabinet helps operating long-term and quietly

Flexibility:

- Height adjustable package mesh tray for center sealing option
- Adjustable power of sealing blade against different film thickness
- Poly-bagging option (without shrink) by switching off the fan
- Temperature, timer other options are controlled with digital system
- Various language options are available in digital control panel
- Service menu is available in digital control panel
- Film roll holder with easy to slide, load and align each package

Quality:

- Working option without pressured air need
- ISO9001 quality standards with the relevant norm's confirmation
- CE certifications, complies with the latest CE directives
- World-wide approved brands for all mechanical and electrical components
- 1 year warranty for nonwearable parts against manufacturing faults
- 5 years spare part availability



R6 EN