



EFFE 3TI
PACKAGING TECHNOLOGIES

we protect your products



TS/32 E – TS/32 G

THERMO SHRINKING OVEN

EFFE 3 TI srl PACKAGING TECHNOLOGIES

13045 GATTINARA (VC) – ITALY | Tel. +39 0163 828911 | Fax +39 0163 828990

info@effe3ti.com | www.effe3ti.com

AN EFFICIENT AND INNOVATIVE SYSTEM TO STABILIZE YOUR PALLET WITH THERMO SHRINKING FILM

TS/32 G e TS/32 E

Electric or Natural Gas thermo shrinking oven, designed to heat and shrink plastic film covering pallets, assuring stability and weather proof protection.

The Patented Insulated Chamber System **reduces heat dispersion and energy consumption.**

THE BEST CHOICE FOR PRICE AND PERFORMANCE!

The **low operating cost** makes the GAS version the most appreciated for its great efficiency and perfect shrinking results. The TS32 / G model, equipped with catalytic panels, **does not emit harmful gases during the work cycle.**

TS32/G. GAS PANEL SAFETY

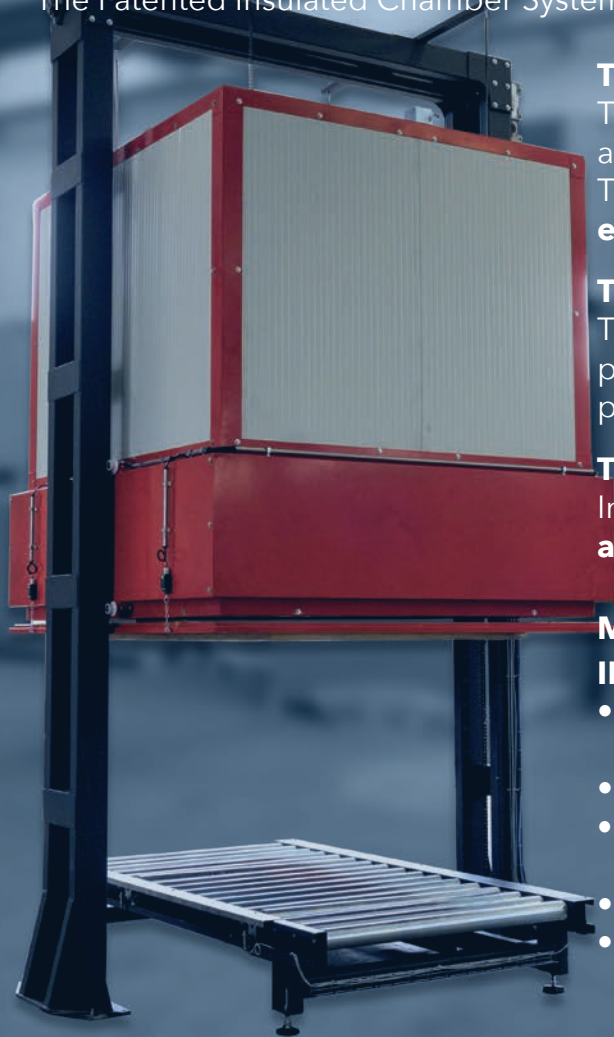
The double supply circuit of the TS32/G oven is equipped with pressure switches that **interrupt the supply** in case of anomalous pressures.

TS32 AUTOMATIC OVEN

In both GAS or ELECTRIC version, TS32 oven can be integrated in **automatic packaging lines**, doubling the hourly production!

MANY POSSIBILITIES OF CUSTOMIZATION AND OPTIONALS, INCLUDING:

- Perimeter protection fences h. 200 cm (*mandatory by the machinery directive 2006/42/EC*)
- Roll conveyors
- Photoelectric safety barriers and safety photocells (*mandatory by the machinery directive 2006/42/CE*)
- Lifting device
- Access ramp for pallet truck loading



TS/32 G - TS/32 E

THE RELIABILITY OF THERMO SHRINKING SYSTEMS TESTED ON THE FIELD
THE SAFETY OF PATENTED SYSTEMS



TS32/G. Catalytic Panels

Heating system with catalytic panels. Heat is generated through infrared rays and is **flameless**.



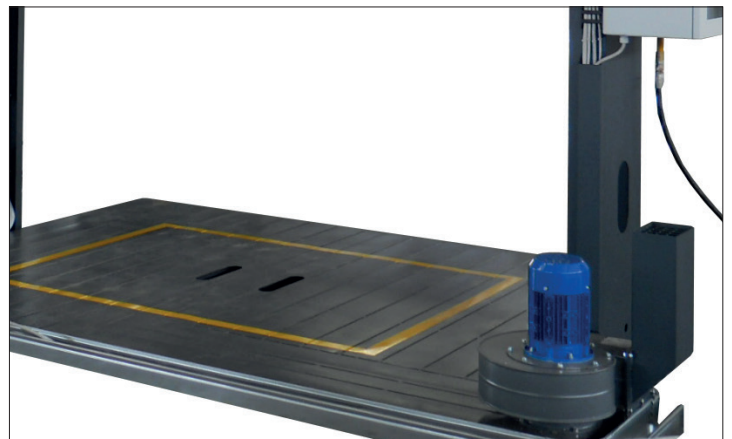
TS32/E. Electric Panels

Heating system with electrical radiant panels.



Patented chamber closure system

The patented closure device of the thermo shrinking chamber allows significant energy savings and lower heating time.



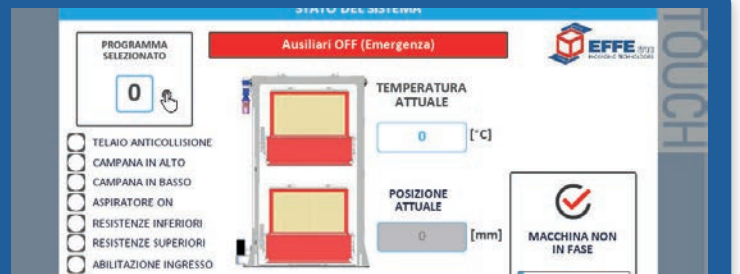
Suction system

The suction device applied to the base of the oven facilitates the anchoring of the film to the lower part of the pallet.



Safety System

New fall arrest system that intervenes in any stop position to guarantee safety during operations.
New locking system that intervenes if the event of chains breaking.



Sistema di Gestione

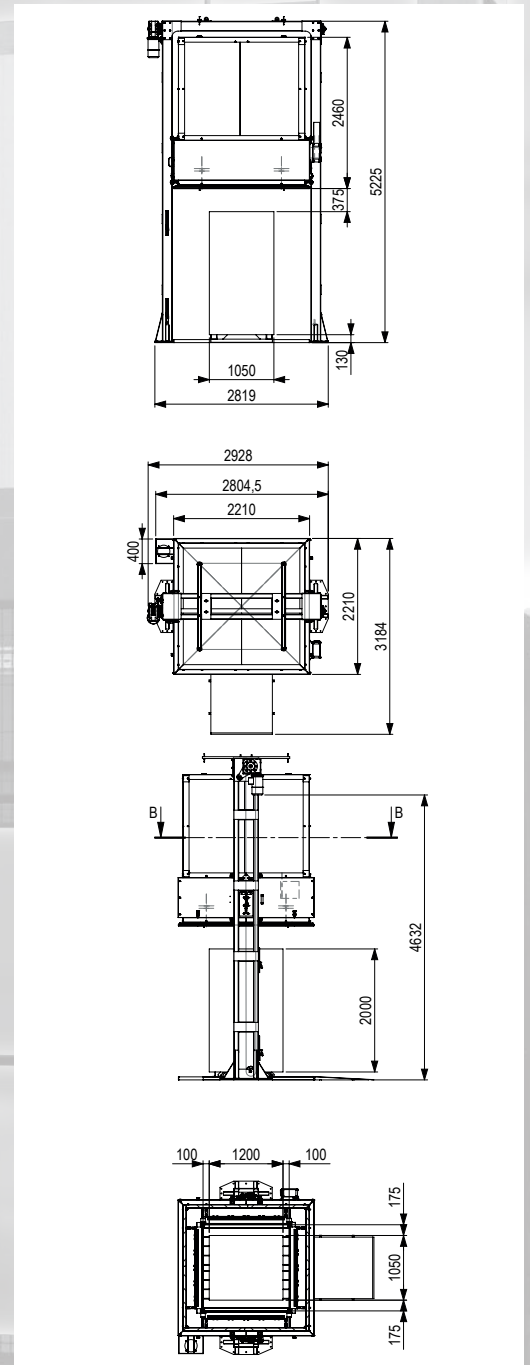
New management system that allows the use of 15 different programs to guarantee an excellent result whatever the atmospheric or dimensional conditions of the product.
New touch panel for quick and easy control of all functions.

TECHNICAL DATA TS/32 G (GAS)

- Electrical supply
400 V, 50 Hz (three phases+N+T)
- Installed electrical power
13 kW/h
- Type of supply
Natural Gas, LPG, Methane
- Natural Gas supply pressure
20 mbar
- LPG supply pressure
100 mbar
- Pre-heating time
approx. 30 min.
- Working temperature (thickness 120 μ)
200°C +/-5%
- Standard pallet dimensions
L=1200; W=1200
- Production
20 pallet/h
- Natural Gas consumption 20 pallet
4,5 nm³/h
- LPG consumption 20 pallet
4 kg/h

TECHNICAL DATA TS/32 E (ELECTRIC)

- Electrical supply
400 V, 50 Hz (three phases+N+T)
- Installed electrical power
45 kW/h
- Type of supply
Electric
- Electric power
40 kW
- Pre-heating time
approx. 30 min.
- Working temperature (thickness 120 μ)
200°C +/-5%
- Standard pallet dimensions
L=1200; W=1200
- Production
20 pacchi/h
- Electric consumption 20 pallet
30 kW



You Tube



www.effe3ti.com

www.youtube.com/effe3ti
www.facebook.com/effe3ti

WARRANTY
3 years

